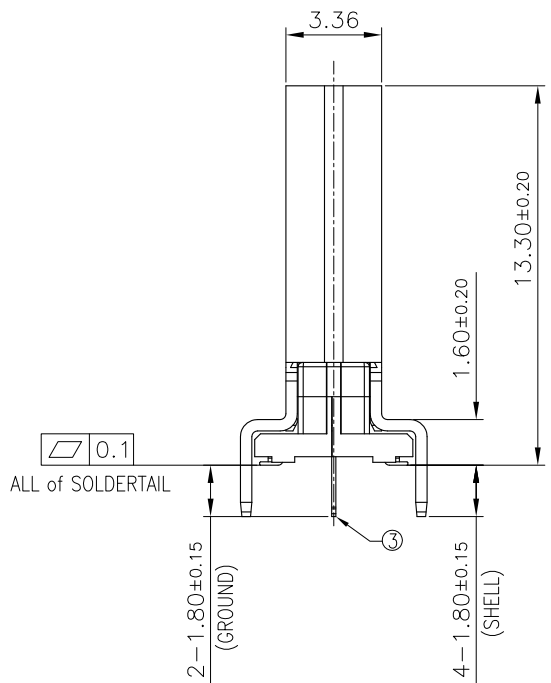
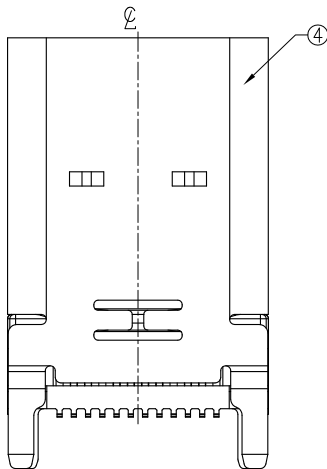
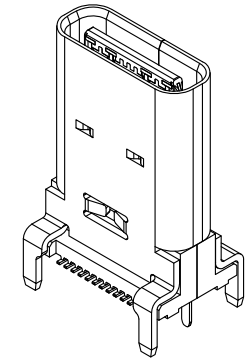


NOTES:
 1. MATERIAL:
 1.1 HOUSING: THERMOPLASTIC, HIGH TEMP., UL94V-0;
 1.2 CONTACT: HIGH CONDUCTIVITY COPPER ALLOY
 1.3 GROUND PIN: STAINLESS STEEL
 1.4 OUTER SHELL: STAINLESS STEEL
 2. FINISH:
 2.1 CONTACT:
 2. GOLD FLASH ON CONTACT FOR LEAD FREE.
 D.30u"Au ON CONTACT FOR LEAD FREE.
 80u" NICKEL UNDERPLATING OVERALL.
 SOLDER TAILS: TIN 60u" MIN. OVER NICKEL.
 2.2 GROUND PLATE & SHELL :
 50u" MIN SOLDERABLE NICKEL UNDERPLATING OVERALL.
 3. SPEC. PLS. REFER TO PS-55907-xxxx-xxx
 4. PACKAGE PLS REFER TO 31893-xxxx-xx-TRP
 5. PART NUMBER

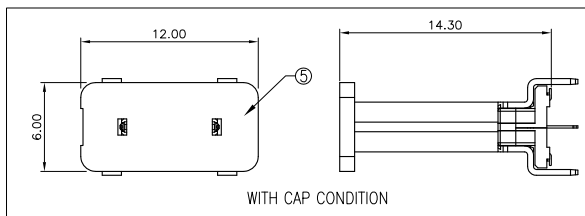


31893-024 X X-V01
 NO OF CKT
 PACKING 7: TAPE & REEL WITH COVER
 PLATING
 D: 30u"Au
 2: GOLD FLASH



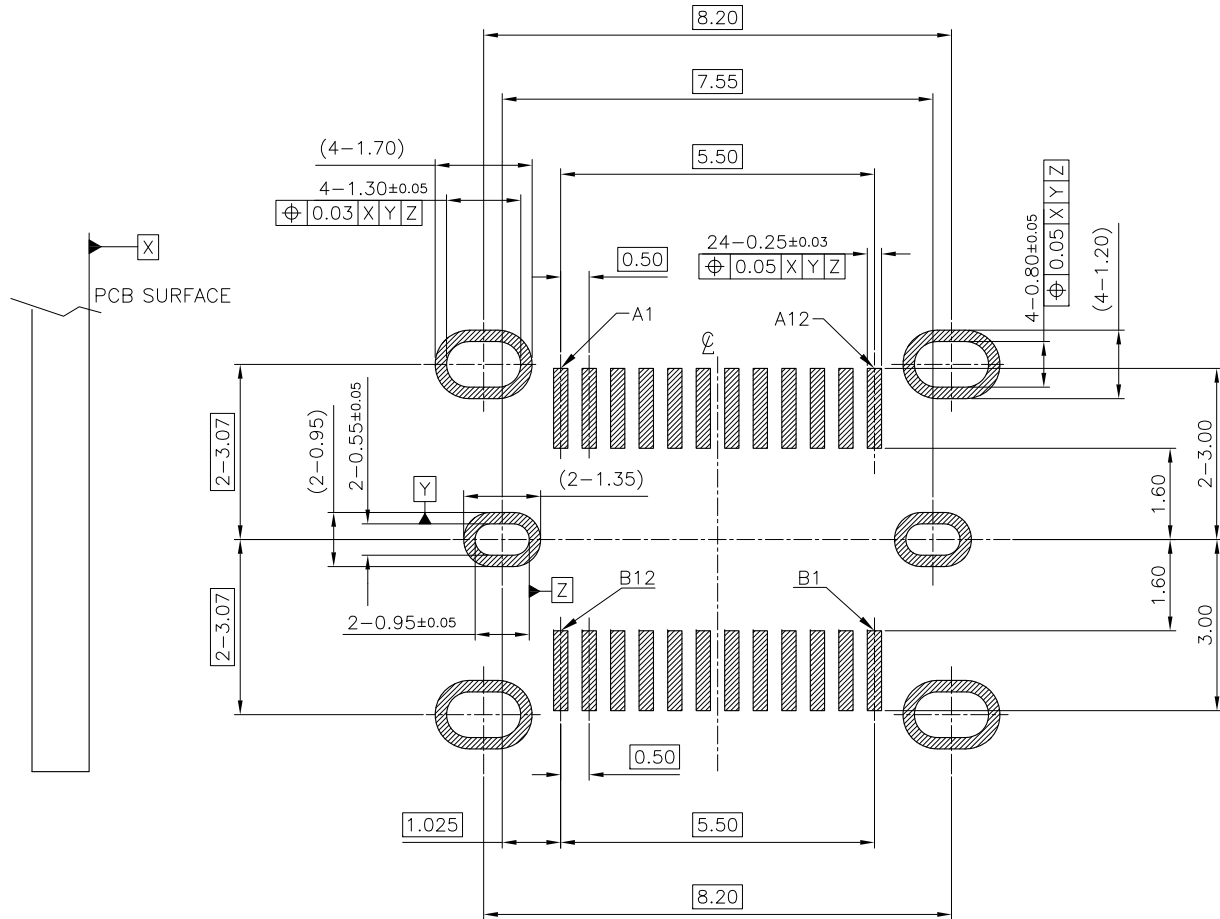
A12	GND	B1	GND
A11	SSRXp2	B2	SSTXp2
A10	SSRXn2	B3	SSTXn2
A9	VBUS	B4	VBUS
A8	SBU1	B5	CC2
A7	Dn1	B6	Dp2
A6	Dp1	B7	Dn2
A5	CC1	B8	SBU2
A4	VBUS	B9	VBUS
A3	SSTXn1	B10	SSRXn1
A2	SSTXp1	B11	SSRXp1
A1	GND	B12	GND
PIN	SIGNAL NAME	PIN	SIGNAL NAME

5	CAP	1
4	SHELL	1
3	GROUND PLATE	1
2	CONTACT	24
1	HOUSING	1
ITEM	DESCRIPTION	Q'TY



QUALITY SYMBOLS		DRAWN BY	DATE
MAJOR	Ⓜ	Chang, Chun Wei	18/03/05
CRITICAL	Ⓢ	CHECKED BY	DATE
GENERAL TOLERANCES (UNLESS SPECIFIED)		Chang, Chun Te	18/03/05
X. ±0.5		APPROVED BY	DATE
.X ±0.25		Kuo, Rong Hsun	18/03/05
.XX ±0.15		UNITS	
.XXX ±0.1		mm	
ANGLES ±2°		SCALE	
		2:1	
		SHEET NO.	
		1 OF 1	

ACES ELECTRONICS		TITLE	
		USB TYPE C REC CONN. VERTICAL TYPE	
SIZE	DWG NO.	REV	PART NO.
A4	31893-024XX-V01	0	SEE NOTES



RECOMMENDED PCBLAYOUT
 TOP VIEW
 SCALE 8:1
 (TOLERANCE=±0.05mm)

NOTES:

- 1.0 ELECTRICAL CHARACTERISTICS:
 - 1.1 LOW LEVEL CONTACT RESISTANCE:
 INITIAL : 40mΩ FOR ALL CONTACT MAX.
 AFTER : 10mΩ MAX. CHANGE.
 - 1.2 DIELECTRIC WITHSTANDING VOLTAGE :
 100 VAC FOR 1 MINUTE SEA LEVEL.
 - 1.3 INSULATION RESISTANCE :
 100MΩ MIN.
 - 1.4 CURRENT RATING :
 VBUS AND GND CONTACT RATED AT 1.25 A EA .
 PARALLELED FOR A TOTAL OF 5A .
- 2.0 MECHANICAL CHARACTERISTICS :
 - 2.1 INSERTION FORCE : 5N~20N .
 - 2.2 EXTRACTION FORCE : 8N~20N INITAL , 6N~20N FINAL.
 - 2.3 DURABILITY : 10,000 CYCLES

QUALITY SYMBOLS MAJOR CRITICAL	DRAWN BY Chang, Chun Wei	DATE 18/03/05				
	CHECKED BY Chang, Chun Te	DATE 18/03/05			TITLE USB TYPE C REC CONN. VERTICAL TYPE	
GENERAL TOLERANCES (UNLESS SPECIFIED) X. ±0.5 .X ±0.25 .XX ±0.15 .XXX ±0.1 ANGLES ±2°	APPROVED BY Kuo, Rong Hsun	DATE 18/03/05	UNITS mm		SIZE A4	DWG NO. 31893-024XX-V01
	SCALE 2:1	SHEET NO. 1 OF 1	REV 0	PART NO. SEE NOTES		